

SECTION 10 14 01 – EXTERIOR SITE SIGNAGE**PART 1: GENERAL****1.01 Scope of Standard**

- A. This standard provides general guidance concerning the specific preferences of Texas State University for signage designed and configured for exterior site installation.
- B. Texas State University recognizes that project conditions and requirements vary, thus precluding the absolute adherence to the items identified herein in all cases. However, unless there is adequate written justification, it is expected that these guidelines will govern the design and specifications for Texas State University projects.

1.02 Design Guidelines

- A. Building Identification Signs:
 - 1. Each **new building requires a Building Identification Sign** which conforms to Texas State Sign Standards. The exterior site signage will be a part of the construction contract.
 - 2. Reference Standards: Vendor to provide signs that comply with the Texas State University design and specifications intent of the exterior signage constructed by Sign Crafters, in San Marcos, Texas, as maintained in Texas State University Facilities Department.
 - a. EXHIBIT 1: Building Name Sign for Small Scale.
 - b. EXHIBIT 2: Building Name Sign for Large Scale.
 - c. EXHIBIT 3: Sherwin-Williams Custom Paint Codes
 - 3. If required, the contractor shall provide signs which comply with the Americans with Disabilities Act Accessibility Guidelines (ADAAG).
 - 4. Submittals: Full shop drawing of each sign type must be submitted to Texas State University for approval.
 - a. One full size mock-up of a typical sign must be submitted for quality of construction approval by Texas State University.
 - b. The mock up can be used for installation, once all wording is approved.

SECTION 10 14 01 – EXTERIOR SITE SIGNAGE

- B. Regulatory Site Signs (stop, no parking, accessible parking)
 - 1. No construction Standards have been developed for these signs. A/E to select and submit for approval.
 - 2. Support poles and backs of regulatory signs are to be painted Sherwin Williams SW 6258 “Tricorn Black”, semi-gloss finish.
 - a. All poles (except Stop Signs): Place 12” high, yellow reflective tape completely around pole, starting 48” off pavement.
 - b. Stop Sign Poles ONLY: Place 12” high red reflective tape completely around pole, starting at 48” off pavement.

PART 2: PRODUCTS**2.01 Building Identification Signs**

- A. Manufacturers are subject to compliance with these requirements.
- B. The following manufacturer(s) are acceptable:
 - 1. Sign Crafters, 2401 IH-35 S., 512-392-0900, or equal.
- C. Asbestos and PCB Certification: After completion of installation, but prior to Substantial Completion, Contractor shall certify in writing that products and materials installed, and processes used, do not contain asbestos or polychlorinated biphenyls (PCB).

PART 3: EXECUTION

- A. Installation of Exterior Site Post-Mounted Signs foundation and anchoring plates to conform to latest Texas State University anchoring system as specified by the Facilities Department.
- B. Contract drawings and specifications shall contain details and specifications for signs and anchorage installation methods.
- C. Perform signage and graphics work in accordance with approved shop drawings and Contract Documents.

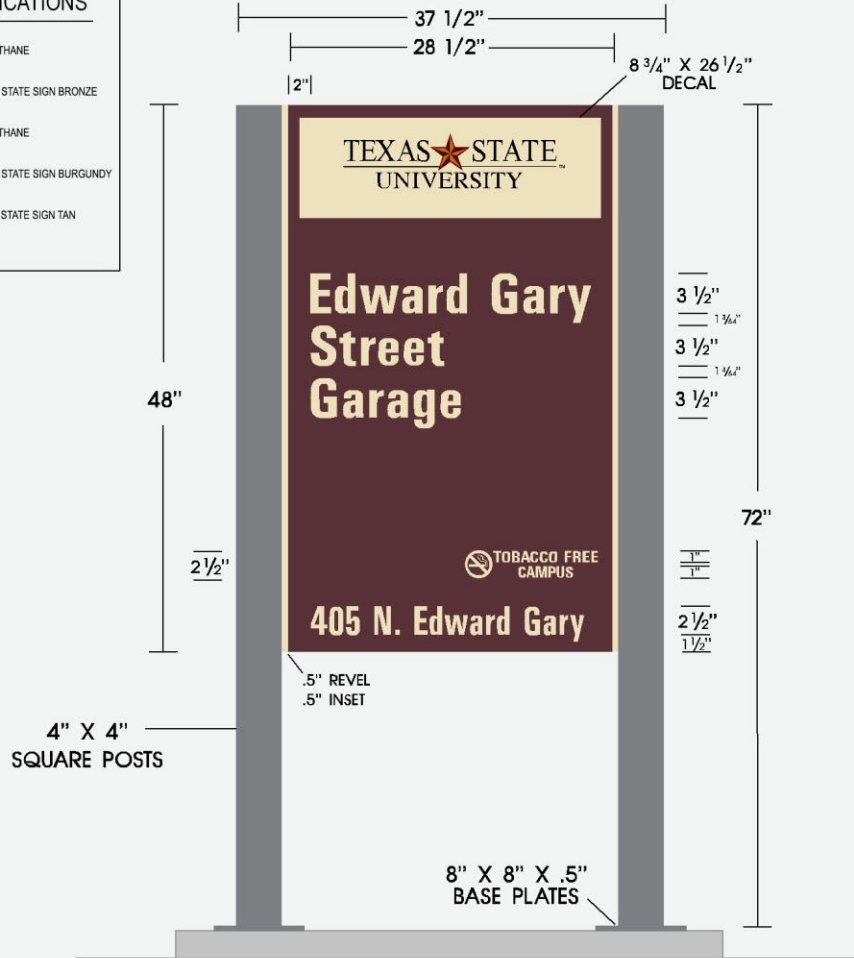
SECTION 10 14 01 – EXTERIOR SITE SIGNAGE

- D. The completed signage and graphics work shall be square, level, uniform, clean, free of scratches, nicks, discoloration and other conditions which affect the appearance and performance.
 - 1. Use materials and cleaning method recommended by materials manufacturer.
 - 2. Do not use acids, cleaning compounds, wire brushes and other type of abrasives.

SECTION 10 14 01 – EXTERIOR SITE SIGNAGE

Exhibit 1: Building Name Signs for Smaller Scale. (37.5 W x 72" H)

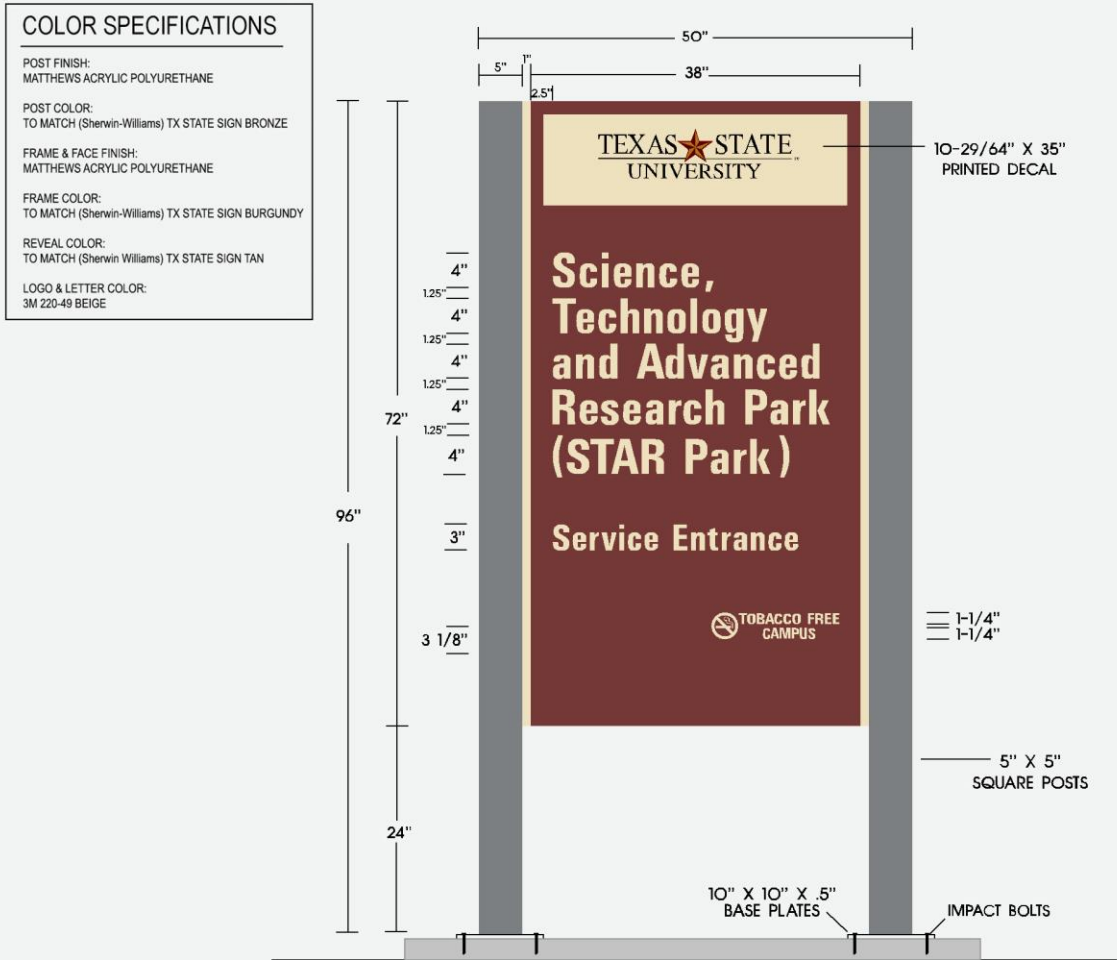
COLOR SPECIFICATIONS	
POST FINISH:	MATTHEWS ACRYLIC POLYURETHANE
POST COLOR:	TO MATCH (Sherwin-Williams) TX STATE SIGN BRONZE
FRAME & FACE FINISH:	MATTHEWS ACRYLIC POLYURETHANE
FRAME COLOR:	TO MATCH (Sherwin-Williams) TX STATE SIGN BURGUNDY
REVEAL COLOR:	TO MATCH (Sherwin Williams) TX STATE SIGN TAN
LOGO & LETTER COLOR:	3M 220-49 BEIGE



(1) ID2 SIGN TO BE BUILT AS PER SIGNAGE GRAPHIC STANDARDS.
 SIGNS TO HAVE VERBIAGE ON ONE SIDE AS PER DRAWINGS (LOGO ON BOTH SIDES).
 SIGNS TO BE INSTALLED BY OTHERS. CONCRETE FOOTINGS TO BE DONE BY OTHERS.

SECTION 10 14 01 – EXTERIOR SITE SIGNAGE

Exhibit 2: Building Name Signs for Larger Scale.



(1) IDI SIGN TO BE BUILT AS PER SIGNAGE GRAPHIC STANDARDS FOR TEXAS STATE UNIVERSITY. SIGN TO HAVE VERBIAGE ON BOTH SIDES AS PER DRAWINGS ABOVE (LOGO BOTH SIDES). CONCRETE FOOTINGS & INSTALLATION TO BE DONE BY OTHERS.

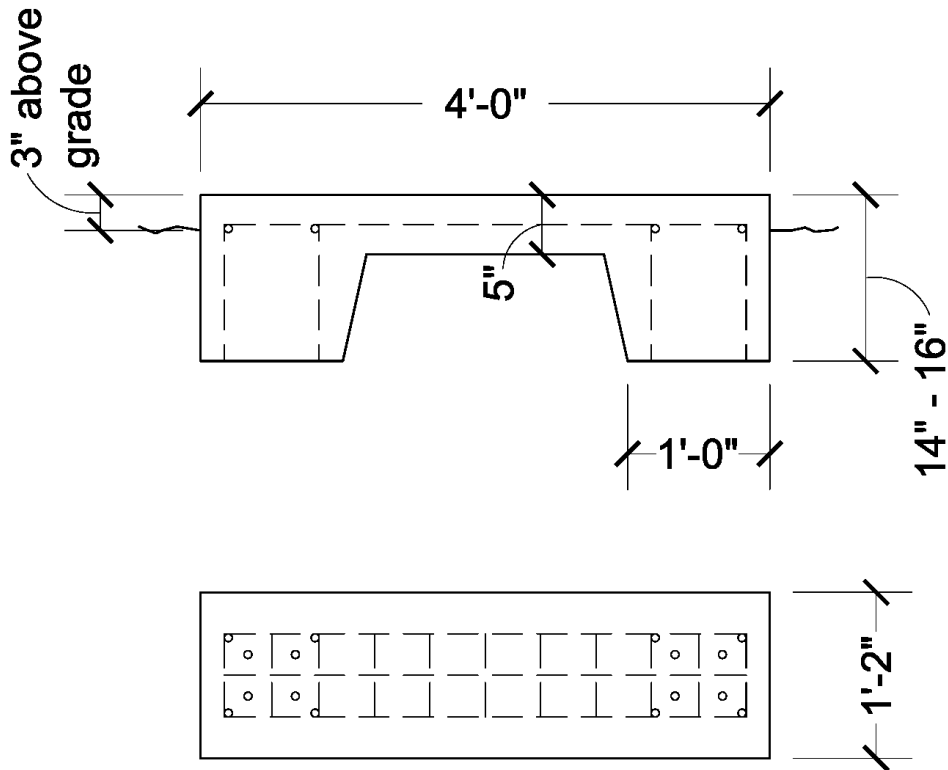
SECTION 10 14 01 – EXTERIOR SITE SIGNAGE

EXHIBIT 3: Sherwin-Williams Custom Paint Codes

SHERWIN-WILLIAMS 7054 512-392-0101		10/13/17 Order# 0191792		SHERWIN-WILLIAMS 7054 512-392-0101		10/13/17 Order# 0191792		SHERWIN-WILLIAMS 7054 512-392-0101		10/17/17 Order# 0191970				
INT/EXT	IND MAINT PART 1	EXTERIOR	PROFESSIONAL	INT/EXT	IND MAINT	INT/EXT	IND MAINT	INT/EXT	IND MAINT	INT/EXT	IND MAINT			
DIRECT TO METAL	ALKYD	SHER-KEM	ENAMEL	INDUSTRIAL ENAMEL	ALKYD	INDUSTRIAL ENAMEL	ALKYD	INDUSTRIAL ENAMEL	ALKYD	INDUSTRIAL ENAMEL	ALKYD			
SEMI-GLOSS	STANDALONE	HIGH GLOSS	STANDALONE	GLOSS	STANDALONE	GLOSS	STANDALONE	GLOSS	STANDALONE	GLOSS	STANDALONE			
TX STATE SIGN BRONZE				TX STATE SIGN BURGUNDY				TX STATE SIGN TAN						
CUSTOM MANUAL MATCH				CUSTOM MANUAL MATCH				CUSTOM MANUAL MATCH						
BAC COLORANT	OZ	32	64	128	BAC COLORANT	OZ	32	64	128	BAC COLORANT	OZ	32	64	128
W1-White	-	44	1	1	B1-Black	-	59	1	1	N1-Raw Umber	-	34	1	-
B1-Black	4	40	-	-	N1-Raw Umber	-	-	1	1	Y3-Deep Gold	-	18	-	1
G2-New Green	-	1	-	1	R3-Magenta	-	11	-	1					
R2-Maroon	-	13	-	1	R4-New Red	6	52	1	-					
Y3-Deep Gold	-	44	-	1										
ONE GALLON		ULTRADEEP			ONE GALLON		ULTRADEEP			ONE GALLON		PURE WHITE		
B55T00104		1360064			F75CC0002		601649379			B54W00101		790799993		


SECTION 10 14 01 – EXTERIOR SITE SIGNAGE

Double Pole Sign Foundation

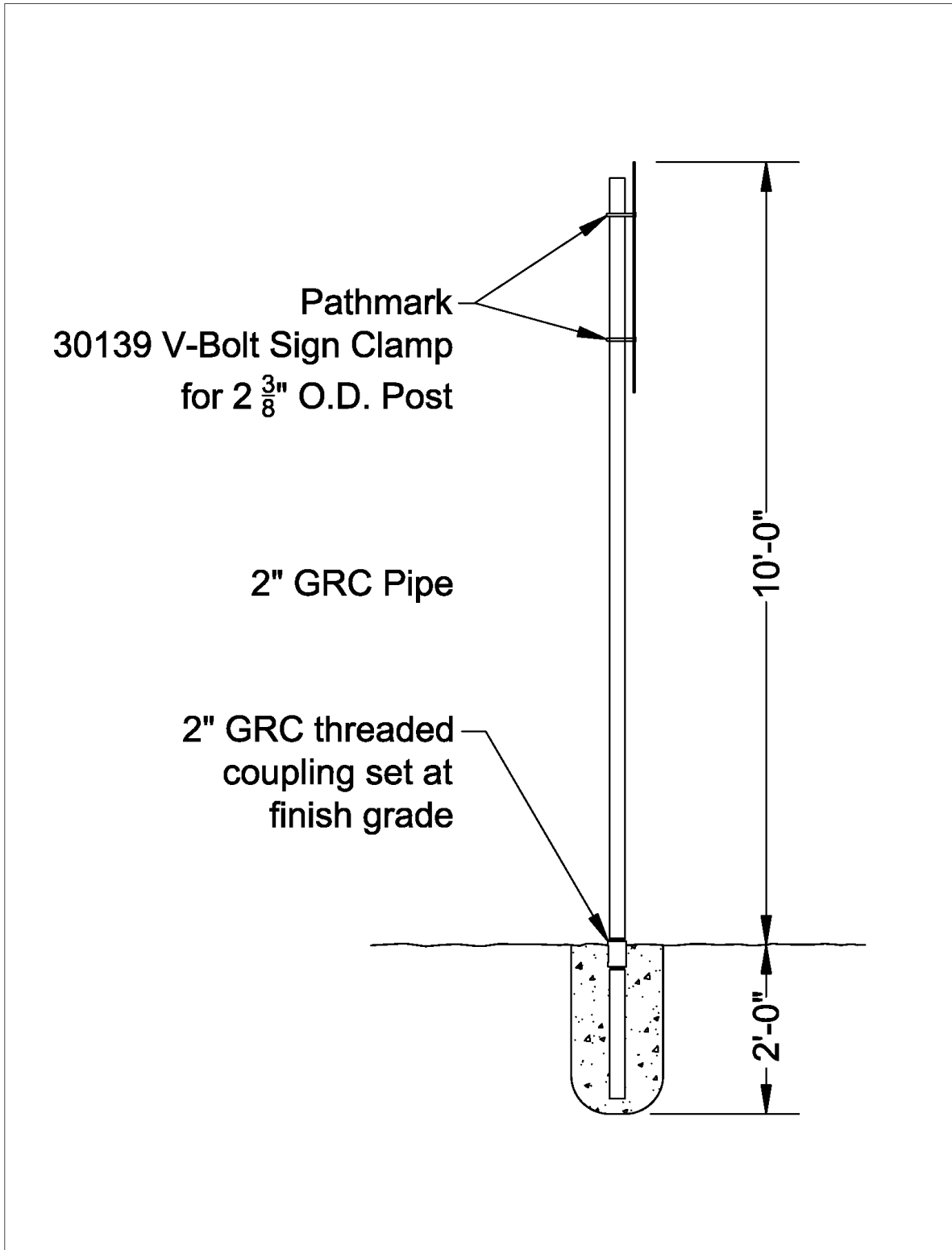


Notes

- 5" conc. base
- All $\frac{3}{8}$ " \varnothing Rebar
- 14" - 16" turn-downs @ each end
- Simpson Strong Tie Anchor Sys
- $\frac{3}{8}$ " x 4" for 6' signs

 <p>601 University Drive San Marcos, Texas 78666-4616 Phone: (512)245-2202 Fax (512)245-8839</p>	Title: 72" H. Concrete Foundation		Sheet No.: <div style="font-size: 2em; font-weight: bold; text-align: center;">1</div> of 1
	Double Pole Sign		
	File updated: 6/6/2013	Plot Date: 6/6/2013	
	File name: TSU Sign Foundation		

SECTION 10 14 01 – EXTERIOR SITE SIGNAGE



END OF SECTION 10 14 01