

**SECTION 05 52 00 – Exterior Metal Railing****PART 1: GENERAL****1.01 Scope of Standard**

- A. This standard provides general guidance concerning the specific preferences of the Texas State University for exterior metal railings.
- B. Texas State University recognizes that project conditions and requirements vary, thus precluding the absolute adherence to the items identified herein in all cases. However, unless there is adequate written justification, it is expected that these guidelines will govern the design and specifications for Texas State University projects.

**1.02 Design Guideline**

- A. Exterior metal railing at exterior stairs and guardrails on the site or on the Building shall have a Spanish Colonial influence, and follow the design for stairs, in **Exhibit 1 and Exhibit 1a**, and for guardrails, in **Exhibit 2, for ramps, in Exhibit 3, Perimeter Campus Fence, in Exhibit 4 and Interior Campus Fence, in Exhibit 5** at the end of this Section.

**1.03 Submittals**

- A. Shop drawings submittals are required for approval by the Project Representative.

**PART 2: PRODUCTS****2.01 Metals**

- A. Metals shall conform to standards of ASTM A36 (ASTM A 36M).
- B. Metal Railing product referenced components shall be as manufactured by King Architectural Metals, Dallas, Texas, 214-388-9834, or an approved equal.
- C. Cutting, Assembly, welding, and painting shall be completed by the subcontractor.

**2.02 Fabrication**

- A. Fabricate metal railings for connecting members, complying with ANSI A14.3, welded steel construction. All welds shall be ground smooth.

**SECTION 05 52 00 – Exterior Metal Railing****2.03 Grouting in Concrete**

- A. Use non-shrink, non-metallic grout: factory packaged, non-staining, non-corrosive, non-gaseous grout complying with ASTM C 1107.

**2.04 Finishes**

- A. Metal Railings shall be shop primed with a rust inhibitive primer for shop or field painting.
- B. For exterior metal railing **detached from a building**, paint shall be Sherwin Williams, SW6258 "Tricorn Black", with a semi-gloss finish.
- C. For exterior metal railing attached to a building, paint shall be Sherwin Williams, BRZ-3, Chestnut Bronze, semi-gloss finish.

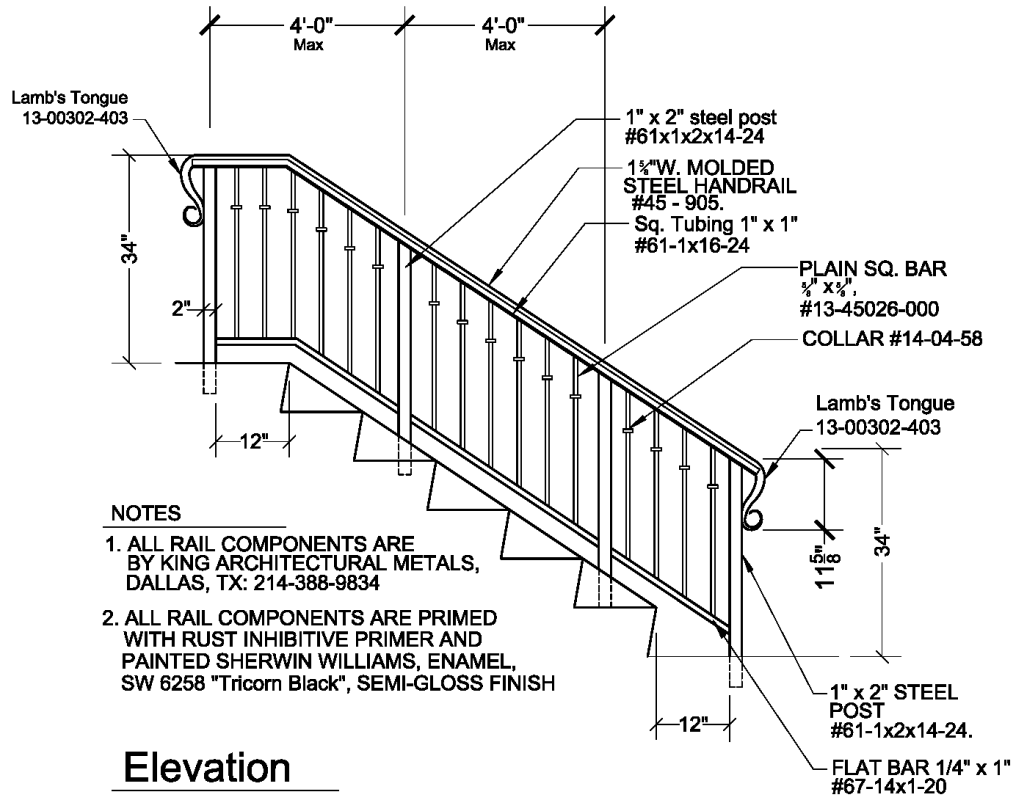
**PART 3: EXECUTION****3.01 Installation**

- A. Set Metal Railings accurately in location, alignment, and elevation: with surfaces level, plumb, true, and free of rack.
- B. Anchor steel support bars and posts in concrete by forming or core-drilling holes; then fill with non-shrink grout as specified above.

SECTION 05 52 00 – Exterior Metal Railing

Exhibit 1:

Exterior stair with Spanish Colonial  
Vertical bars 4" apart, at non-fall protection requirement



NOTES

1. ALL RAIL COMPONENTS ARE BY KING ARCHITECTURAL METALS, DALLAS, TX: 214-388-9834
2. ALL RAIL COMPONENTS ARE PRIMED WITH RUST INHIBITIVE PRIMER AND PAINTED SHERWIN WILLIAMS, ENAMEL, SW 6258 "Tricorn Black", SEMI-GLOSS FINISH

Elevation

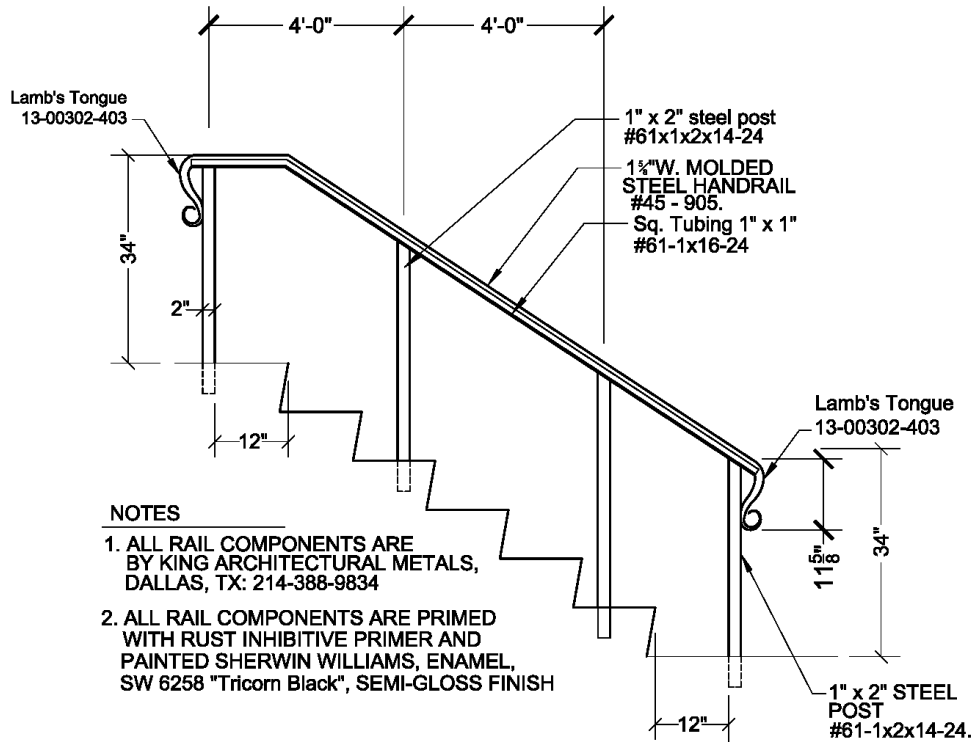
No Scale

<p>601 University Drive San Marcos, Texas 78668-4616 Phone: (512)245-2202 Fax (512)245-8839</p>	Title: Standard Stair Handrail Elevation		Sheet No.:
	File updated: 6/3/2013 Plot Date: 6/11/2013		<p style="font-size: 2em; font-weight: bold;">1</p> <p>of 1</p>
	File name: HandRail Standard 2a		

SECTION 05 52 00 – Exterior Metal Railing

Exhibit 1aa:

Stair railing without pickets, at non-fall protection requirement



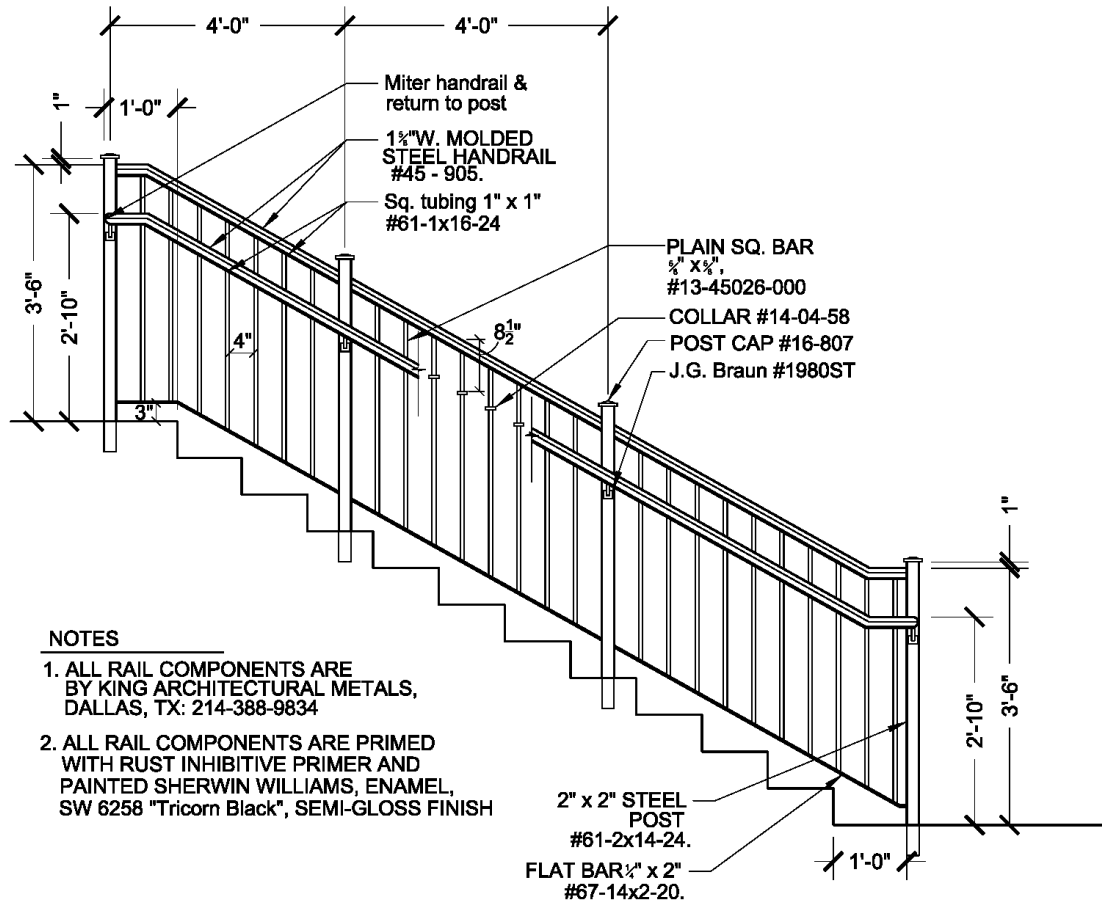
Elevation

No Scale

<p>601 University Drive San Marcos, Texas 78668-4616 Phone: (512)245-2202 Fax (512)245-8839</p>	Title: Standard Stair Handrail Elevation		Sheet No.: <b>1</b> of 1
	File updated: 6/3/2013 Plot Date: 6/3/2013		
	File name: HandRail Standard 2		

SECTION 05 52 00 – Exterior Metal Railing

**Exhibit 1a: Exterior Stair Requiring Fall Protection**



**NOTES**

1. ALL RAIL COMPONENTS ARE BY KING ARCHITECTURAL METALS, DALLAS, TX: 214-388-9834
2. ALL RAIL COMPONENTS ARE PRIMED WITH RUST INHIBITIVE PRIMER AND PAINTED SHERWIN WILLIAMS, ENAMEL, SW 6258 "Tricorn Black", SEMI-GLOSS FINISH

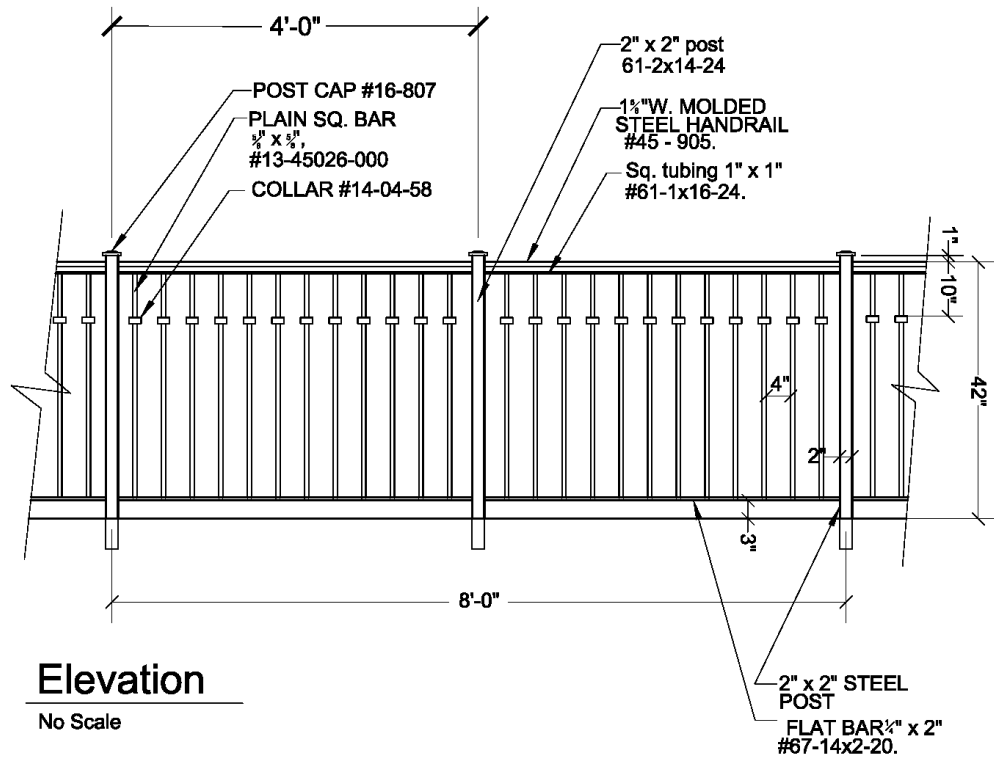
**Elevation**

No Scale

<p>601 University Drive San Marcos, Texas 78666-4616 Phone: (512)245-2202 Fax (512)245-8839</p>	Title: Standard Stair Handrail with Guardrail Elevation		Sheet No.:
	File updated: 7/30/2007 Plot Date: 6/3/2013		1 of 1
	File name: HandRail Standard 3		

SECTION 05 52 00 – Exterior Metal Railing

**Exhibit 2: Exterior Guard Rail Requiring Fall Protection**



**Elevation**

No Scale

**NOTES**

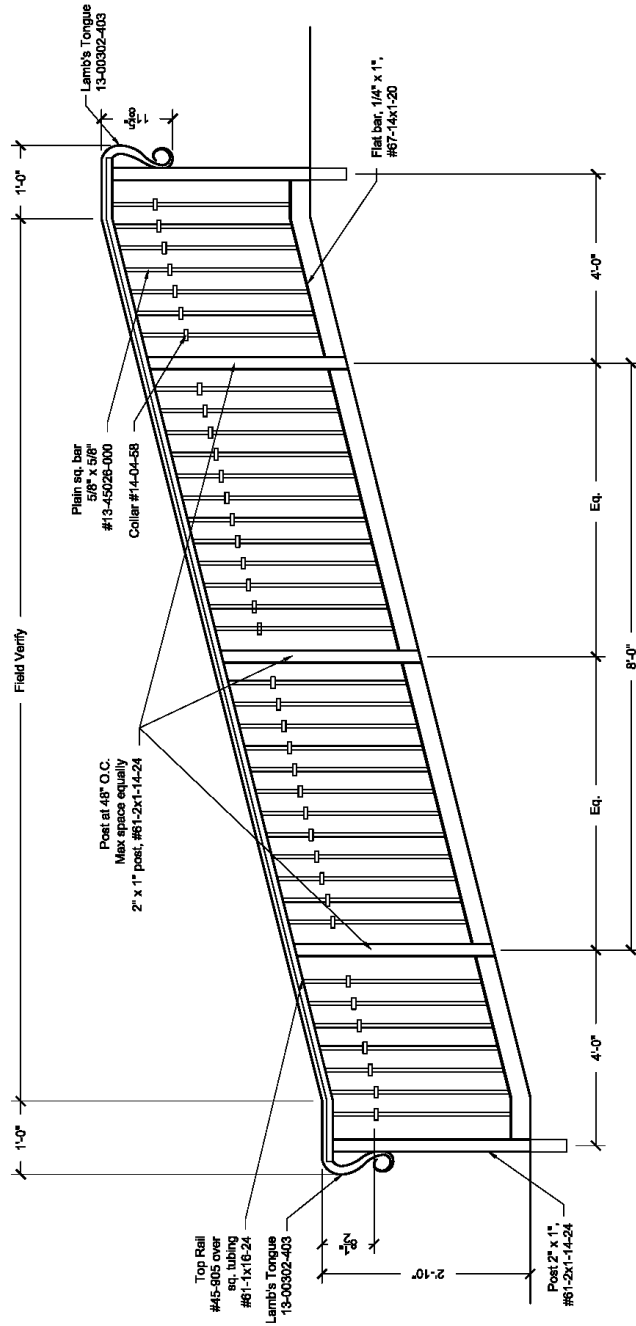
1. ALL RAIL COMPONENTS ARE BY KING ARCHITECTURAL METALS, DALLAS, TX: 214-388-9834
2. ALL RAIL COMPONENTS ARE PRIMED WITH RUST INHIBITIVE PRIMER AND PAINTED SHERWIN WILLIAMS, ENAMEL, SW 6258 "Tricorn Black", SEMI-GLOSS FINISH

<p>801 University Drive San Marcos, Texas 78666-4616 Phone: (512)245-2202 Fax (512)245-8839</p>	Title: Standard Guardrail Elevation		Sheet No.:
	File updated: 6/3/2013 Plot Date: 6/3/2013		<b>1</b>
	File name: HandRail Standard 1a		of 1
			Scale: 1/2" = 1'-0"



SECTION 05 52 00 – Exterior Metal Railing

Exhibit 3: ADA accessible ramp with pickets, at non-fall projection requirements




Elevation

No Scale

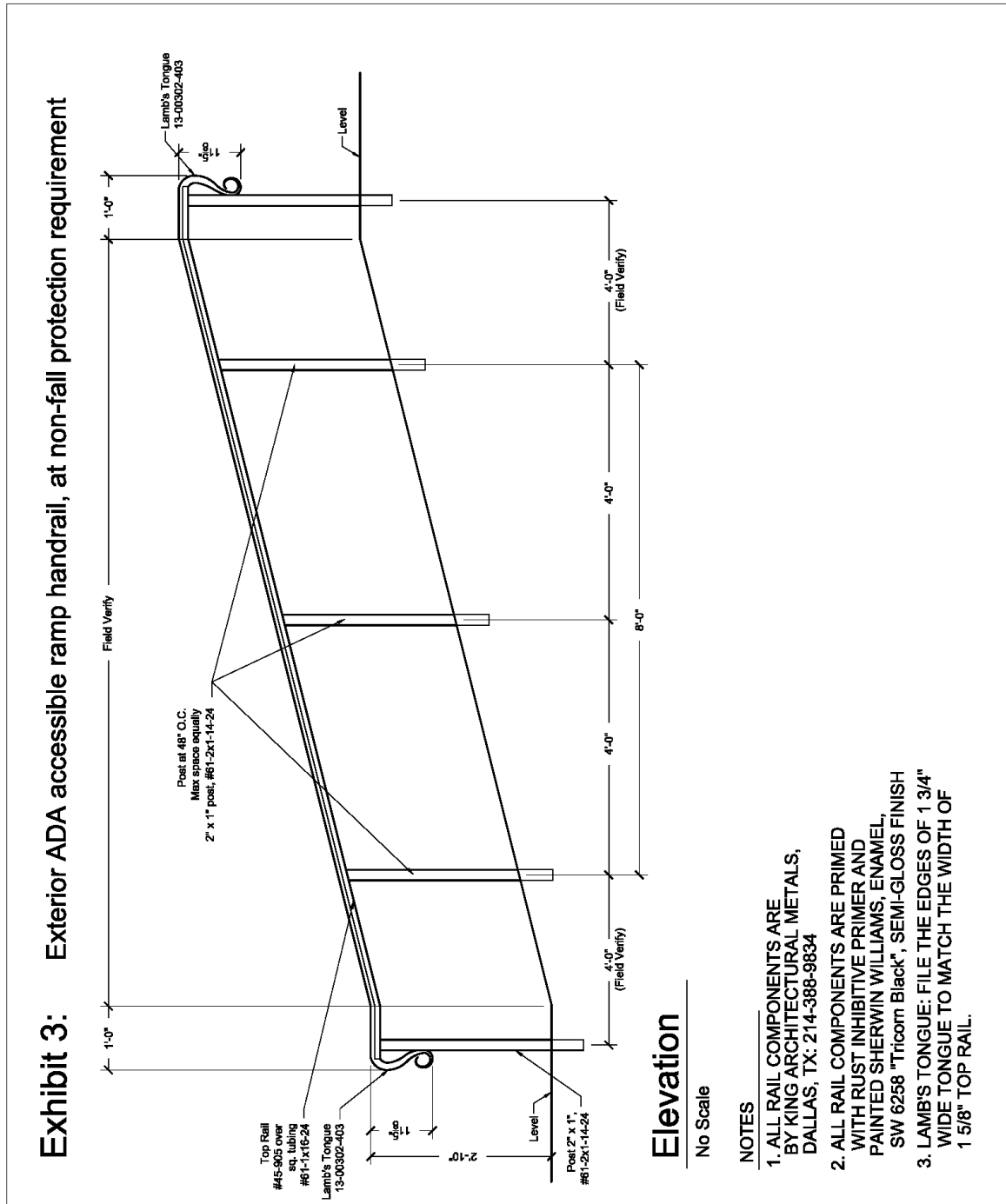
NOTES

1. ALL RAIL COMPONENTS ARE BY KING ARCHITECTURAL METALS, DALLAS, TX: 214-388-9834
2. ALL RAIL COMPONENTS ARE PRIMED WITH RUST INHIBITIVE PRIMER AND PAINTED SHERWIN WILLIAMS, ENAMEL, SW 6258 "Tricorn Black", SEMI-GLOSS FINISH
3. LAMB'S TONGUE: FILE THE EDGES OF 1 3/4" WIDE TONGUE TO MATCH THE WIDTH OF 1 5/8" TOP RAIL.

 801 University Drive San Marcos, Texas 78666-4616 Phone: (512)245-2202 Fax (512)245-8839	Title: Accessible Ramp Typical Handrail	Sheet No.:
	File updated: 6/3/2013 Plot Date: 6/6/2013	1
	File name: Accessible Ramp HandRail Standard	of 1



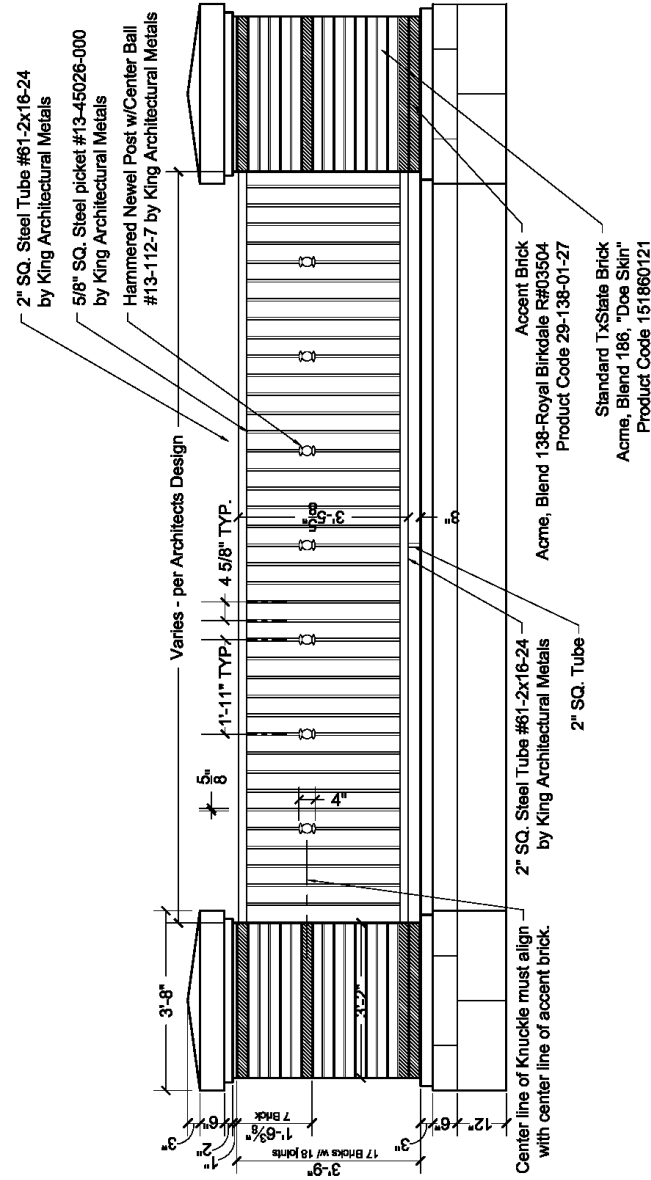
SECTION 05 52 00 – Exterior Metal Railing




<p>TEXAS STATE 801 University Drive San Marcos, Texas 78666-4616 Phone: (512)245-2202 Fax (512)245-8839</p>	Title: Accessible Ramp Typical Handrail		Sheet No.:
	File updated: 6/3/2013 Plot Date: 6/3/2013		<p><b>1</b> of 1</p>
	File name: Accessible Ramp HandRail Standard2		

SECTION 05 52 00 – Exterior Metal Railing

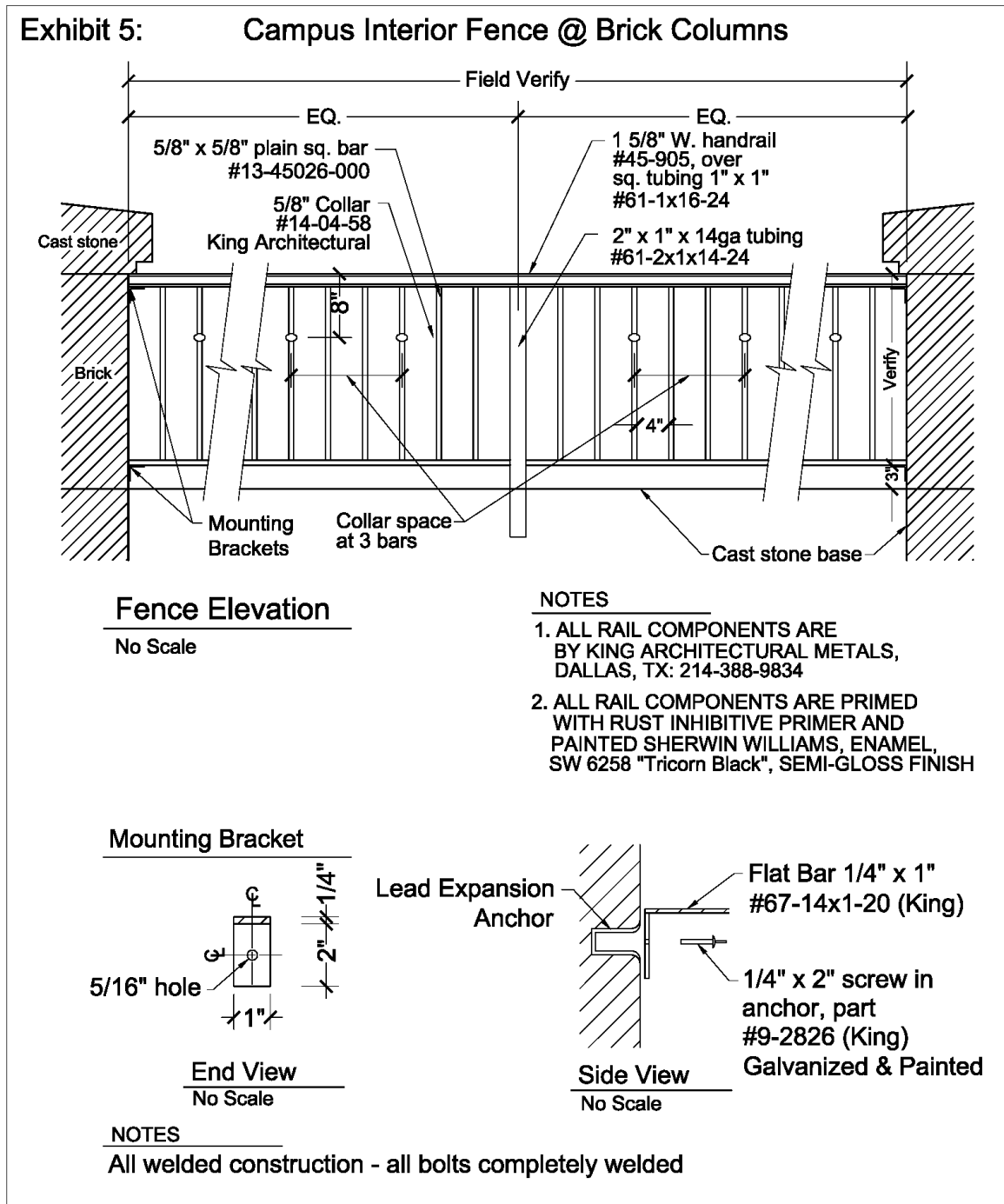
**EXHIBIT 4: Campus Perimeter Brick Fence & Metal Railing**



- Notes**
1. Paint Finish: Steel fence to be painted SW 6258, "Tricorn Black", semi-gloss finish.
  2. All brick joints  $\frac{3}{8}$ " high.

 801 University Drive San Marcos, Texas 78666-4616 Phone: (512)245-2202 Fax (512)245-8839	Title: Campus Perimeter Brick Fence and		Sheet No.:
	Ornamental Rail		1 of 1
	File updated: 1/27/2009	Plot Date: 6/3/2013	
	File name: Fence Standard		

SECTION 05 52 00 – Exterior Metal Railing



<p>TEXAS STATE 801 University Drive San Marcos, Texas 78666-4616 Phone: (512)245-2202 Fax (512)245-8839</p>	Title: Campus Interior Fence @ Brick Columns		Sheet No.:
	File updated: 1/27/2009 Plot Date: 6/3/2013		1
	File name: Interior Fence Standard		

END OF SECTION 05 52 00